

DYNAMAX KNOWS SPINDLES

**DESIGN.
MANUFACTURING.
SERVICE.**

When it comes to precision machine spindles, Dynamax has you covered. Offering more than 500 standard spindles in both belt driven and integral motor designs, Dynamax is dedicated to the design, manufacturing and service of spindles.

Belt/Gear/Direct Driven

- Block Spindles
- Cartridge Spindles
- Specialty Spindles

Motorized Spindles

- Standard Motorized Spindles
- High Speed Motorized Spindles
- Specialty Spindles

More than just a spindle manufacturer, Dynamax is experienced in the design of custom spindles as well as the service of existing spindles, both foreign and domestic. Call us today to find out how Dynamax can improve the way you do business!

DYNAMAX KNOWS SPINDLES

1.847.680.8833

www.dynospindles.com



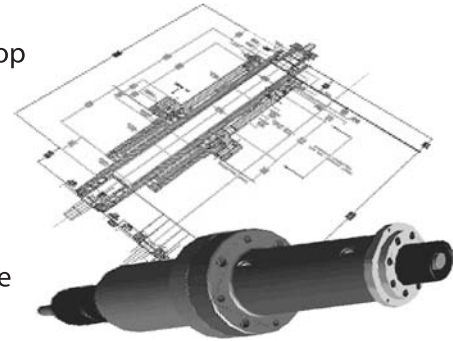
DYNOMAX KNOWS...

DESIGN.

Custom spindle designs are a Dynamax specialty. Having helped many companies develop new, more efficient spindles, Dynamax custom designs offer an affordable way to enhance machinery.

In addition to custom concepts, our engineers can customize most Dynamax standard spindles to meet customer requirements without significantly increasing delivery timelines.

Whether you're looking for a clean sheet design, or just a few minor modifications, the Dynamax engineering team is here to help.



MANUFACTURING.

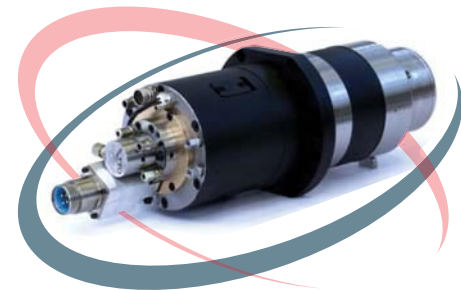
Every Dynamax spindle is manufactured to precision tolerances under ISO guidelines, featuring:

- Modular designs that allow for quick and easy customization and integration
- Assembly completed by trained technicians under controlled conditions
- Testing for acceptable vibration and temperature levels
- Balanced to precision tolerances using state of the art equipment
- Run-ins to maximum operating speed certify acceptable performance

Dynamax is committed to delivering a quality product on time, and within budget. We stand behind all our spindles with a full 1-year warranty on all parts and craftsmanship.

In addition to our manufacturing expertise, Dynamax representatives excel at selecting spindles that meet customer requirements and optimize their environments.

Simply put... Dynamax knows spindles.



SERVICE.

Dynamax knows the quickest way back to maximum production is timely, high quality service. Whether it's a spindle repair, enhancement or retrofit, our step-by-step ISO 9001 documented service process ensures precision and quality craftsmanship every time.

All Dynamax services are completed at our modern in-house facilities utilizing the latest industry technology and techniques. Call us today to see how Dynamax's spindle repair services can restore your spindle's value, reduce downtime, and save you money.

At Dynamax, we make the best and repair the rest!

DYNOMAX KNOWS SPINDLES

1.847.680.8833

www.dynospindles.com

